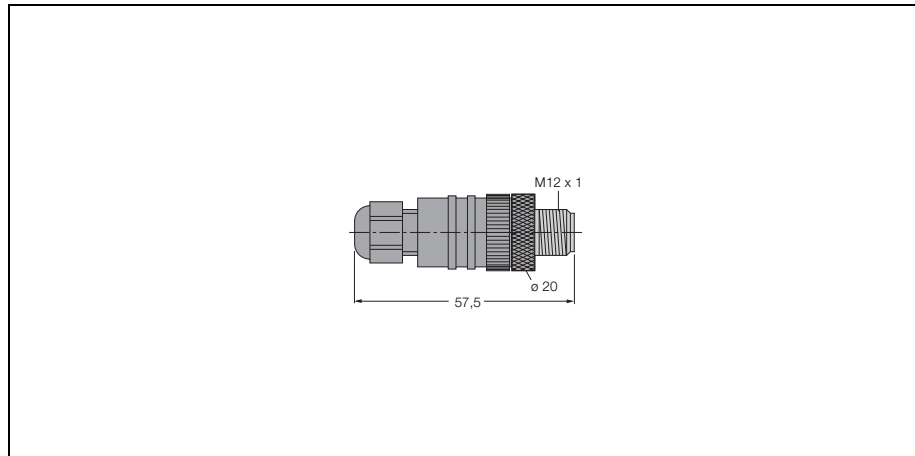
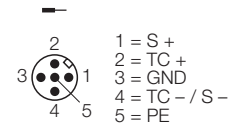


**M12 x 1 round connector with Pt1000 sensor
BL67-WAS5-THERMO**



- accessories for BL67-2AI-TC
- M12 x 1 round connector
- field-wireable
- screw/terminal connection
- for cold junction compensation
- integrated Pt1000 sensor

Pin configuration



Type	BL67-WAS5-THERMO
Ident-No.	6827197
Connector	Connector, M12 x 1, straight
Polarity	5-pole
Contacts	metal, CuZn, gold-plated
Contact carriers	plastic, PA, black
Grip	plastic, PA, black
Coupling nut/screw	metal, CuZn, nickel-plated
Degree of protection	IP67, only with screws tightened
External diameter of the cable	3 ... 6.5 mm
Core cross-section/Clamping ability	max. 0.75 mm ²
Connection mode	screw terminals
Pollution degree	3
Rated voltage	max. 60 V
Approvals	UL
resistance to oil	yes
Insulation resistance	≥ 10 ⁹ Ω
Forward resistance	≤ 5 mΩ
Ambient temperature Connector	-25 ... + 90 °C

Wiring diagram

